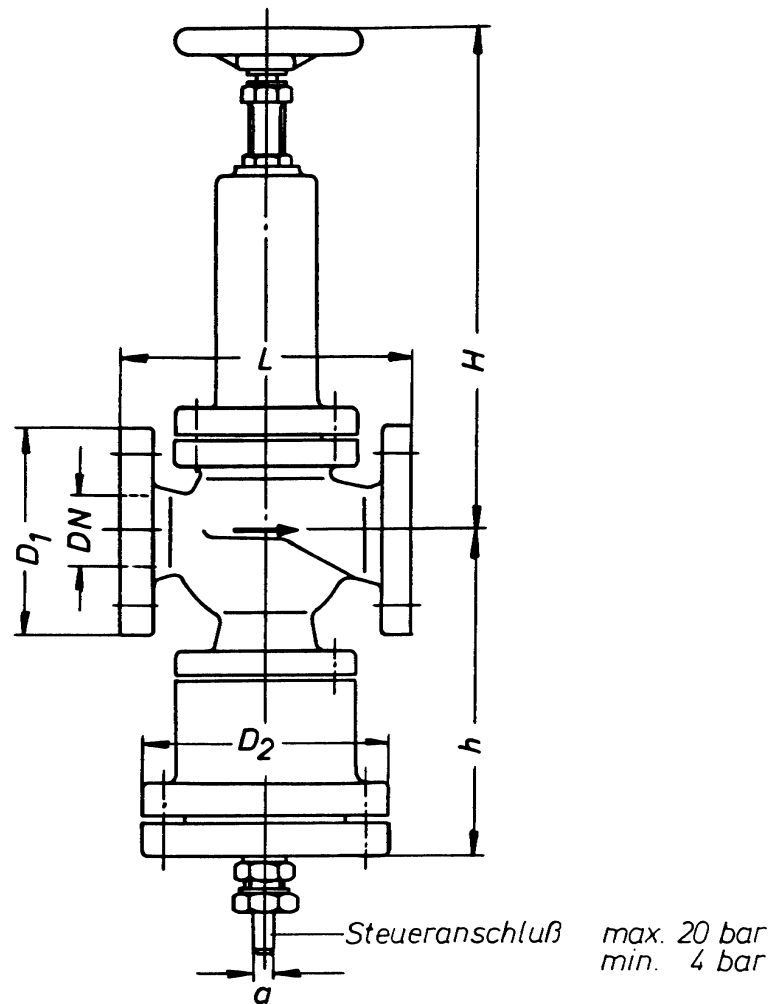


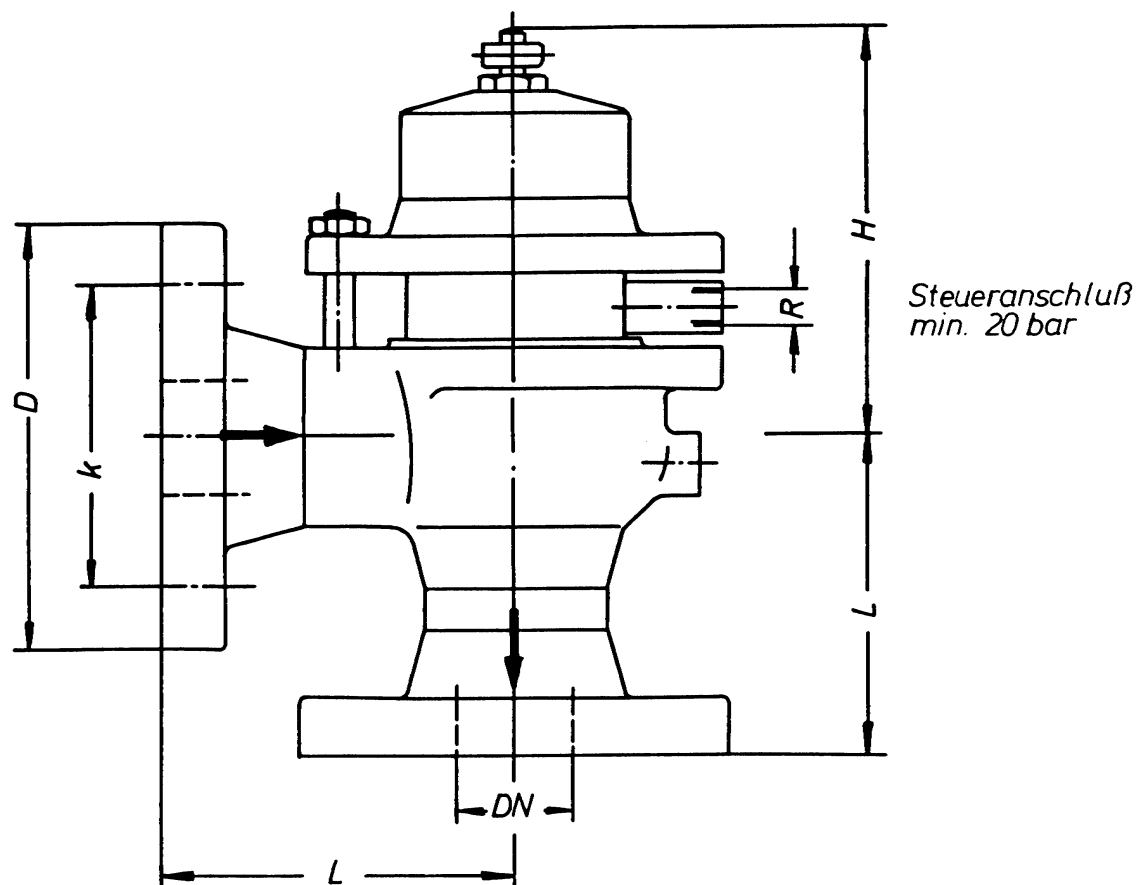
Model T30

 Designation of a CO₂-Quick opening valve of nominal size DN 50 in GS-C25 :

T 30.50 - PN 40

DN	Flanges PN 40				L	H	h	D ₂	a
	D ₁	k	z	i					
25	115	85	4	14	160	280	170	135	10
32	140	100	4	18	180	330	170	135	10
40	150	110	4	18	200	370	170	135	10
50	165	125	4	18	230	415	215	200	10
65	185	145	8	18	290	480	265	200	10
80	200	160	8	18	310	590	325	200	10
100	235	190	8	23	350	590	325	190	10
125	270	220	8	27	400	600	375	265	10
150	300	250	8	27	480	620	420	265	10

Dimensions in mm

Type tested, Certificate No. 57 953 HH

Model T30

 Designation of a CO₂-Quick opening valve of nominal size DN 50 in GS-C25 :

T 30.50 - PN 100

DN	Flanges PN 100				L	H	R
	D	k	z	i			
20	130	90	4	18	115	130	R ^{1/4}
25	140	100	4	18	115	140	R ^{1/4}
32	155	110	4	23	130	145	R ^{1/4}
40	170	125	4	23	130	160	R ^{1/4}
50	195	145	4	27	150	180	R ^{3/8}
65	220	170	8	27	170	210	R ^{3/8}
80	230	180	8	27	190	230	R ^{3/8}
100	265	210	8	30	215	280	R ^{3/8}

Dimensions in mm