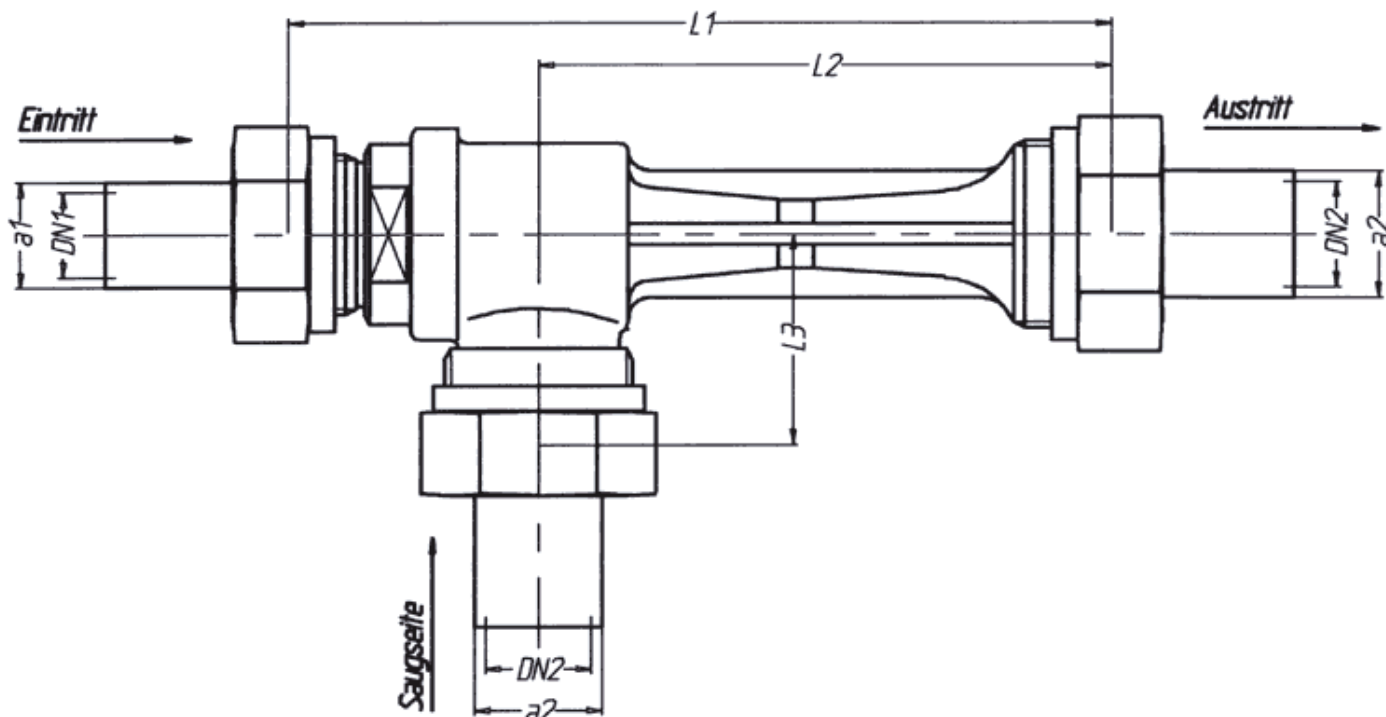


Model T2



Designation of an ejector size 1 :

T2.1

DN	Size	Flow m ³ /h		DN ₁		DN ₂		L ₁	L ₂	L ₃
		WG	¹⁾ Stm.	mm	a ₁	mm	a ₂			
16 / 20 / 20	1	0,65	0,65	16	20	20	25	160	100	45
20 / 25 / 25	2	1,2	1,2	20	25	25	30	195	135	50

Dimensions in mm

The ejectors can be supplied as steam ejectors. The supplied water quantity for steam at 6 bar as propellant is listed under ¹⁾.

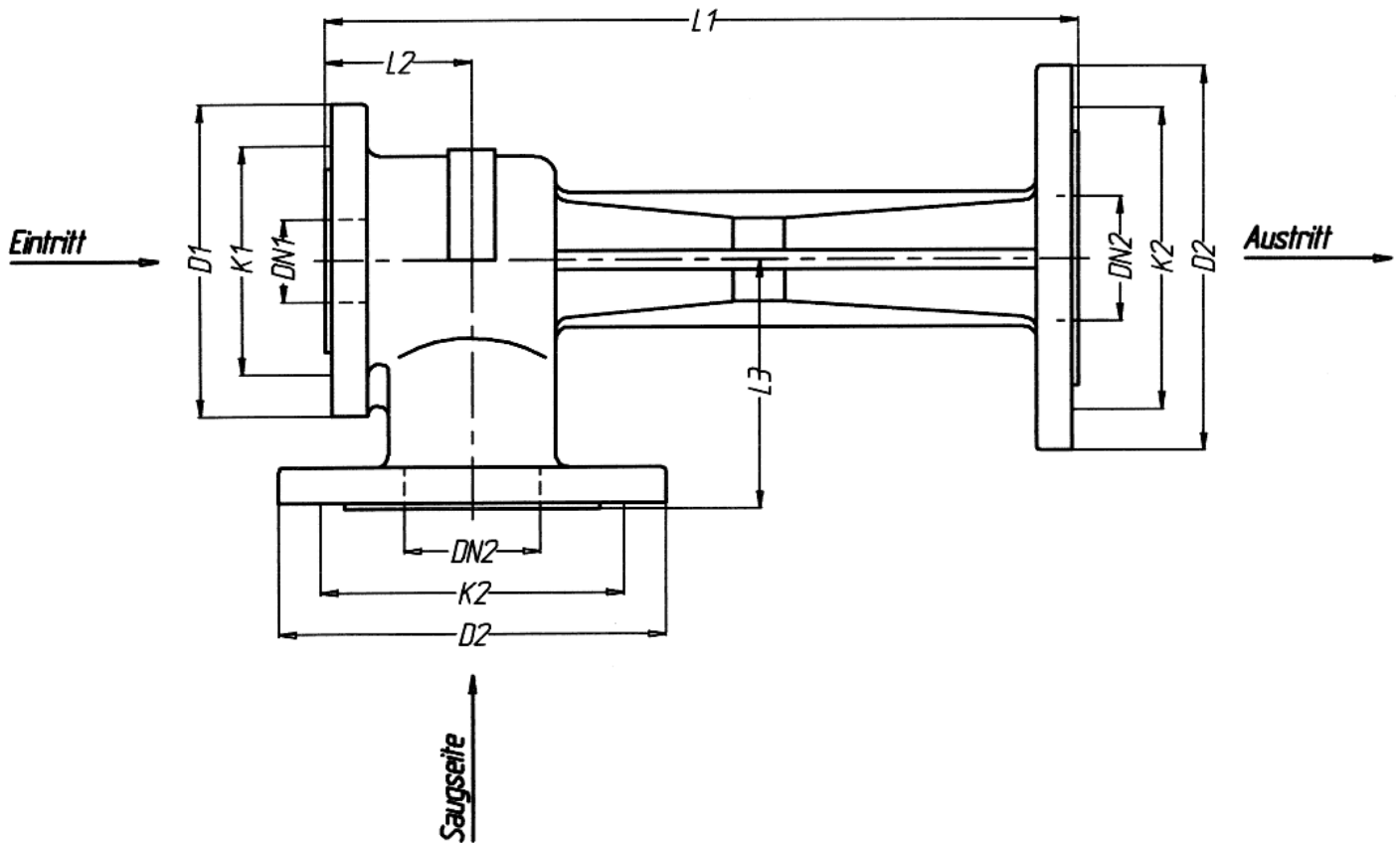
The following details are always needed for orders :

Propelled water quantity and propelled water pressure

Suction water quantity, suction height and pressure height

The jet pump can be supplied with soldering or welding tapers (DIN 86 148).

Model T2



Designation of an ejector size 5 :

T2.5

DN	Size	Flow m ³ /h		Flanges DIN PN 10						L ₁	L ₂	L ₃
		WG	¹⁾ Stm.	DN ₁	K ₁	D ₁	DN ₂	K ₂	D ₂			
25 / 32 / 32	3	2,6	2,7	25	85	115	32	100	140	220	40	85
32 / 40 / 40	(4)	4,6	4,5	32	100	140	40	110	150	260	50	95
32 / 50 / 50	5	5,2	7,5	32	100	140	50	125	165	290	55	100
40 / 50 / 50	(6)	7,3	10	40	110	150	50	125	165	320	60	110
40 / 65 / 65	7	14,3	20	40	110	150	65	145	185	360	70	120
50 / 80 / 80	8	16,5	30	50	125	165	80	160	200	470	80	140
65 / 100 / 100	9	26,0	50	65	145	185	100	180	220	560	100	160

Dimensions in mm

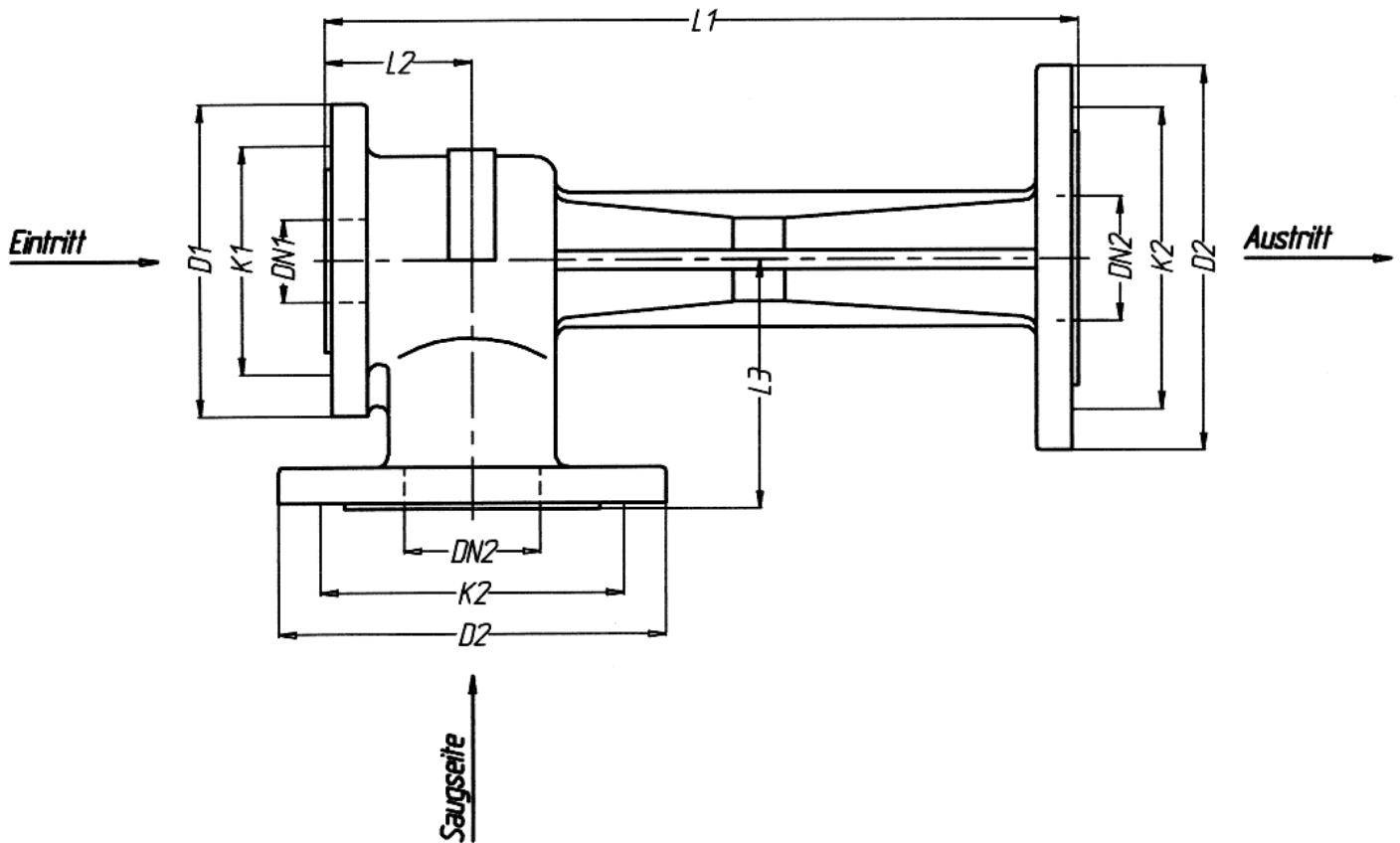
The ejectors can be supplied as steam ejectors. The supplied water quantity for steam at 6 bar as propellant is listed under ¹⁾.

The following details are always needed for orders:

Propelled water quantity and propelled water pressure

Suction water quantity, suction height and pressure height

Model T2



Designation of an ejector size 1 for connections DN 50 / 80 / 80 :

T2 - BV 43 - Size 1

DN	Size	Pressure Ejector mWG	Counter pressure mWG	Flow			Weight kg
				Prop. water m³/h	Suction side W m³/h	Output rate m³/h	
50 / 80 / 80	1	80	10	25	25	50	10.4
60 / 100 / 100	2	80	10	50	50	100	17.5
100 / 150 / 150	3	80	10	100	100	200	28.3

DN	Size	DN ₁	K ₁	D ₁	DN ₂	K ₂	D ₂	L ₁	L ₂	L ₃
50 / 80 / 80	1	50	96	120	80	126	150	500	85	90
60 / 100 / 100	2	60	106	130	100	148	172	620	100	110
100 / 150 / 150	3	100	148	172	150	202	226	900	100	150

Dimensions in mm