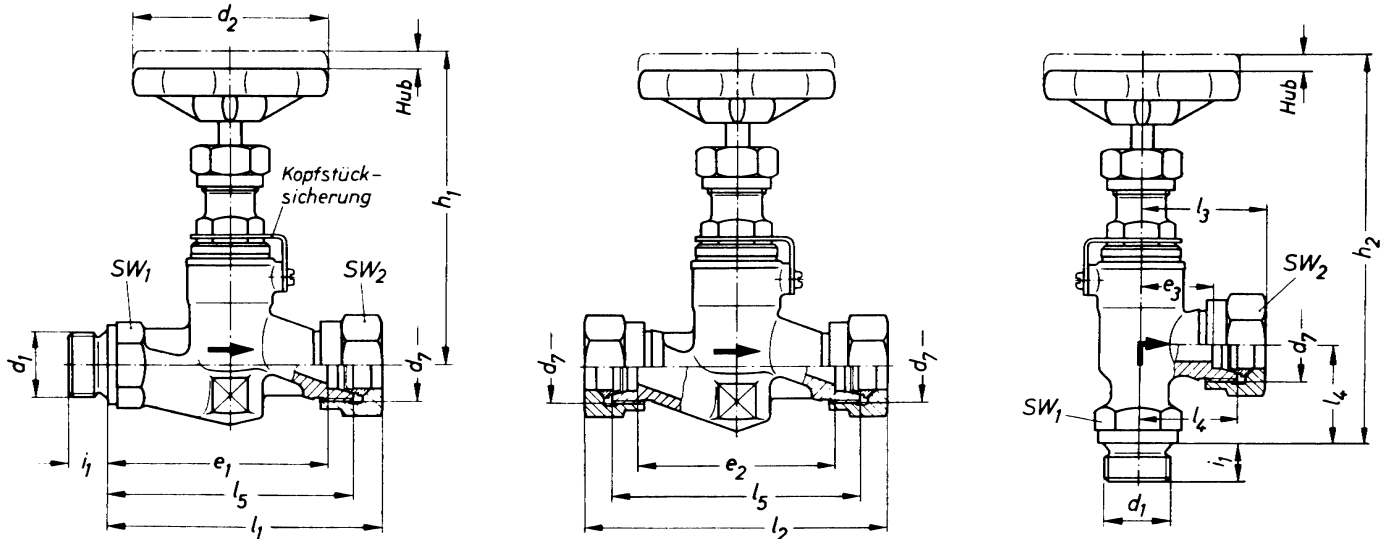


## Range of application

Valves in accordance with this Standard are intended for steel pipe systems conveying water and steam as well as oil and compressed air. They may be used for nominal pressures up to PN 100 and temperatures up to 300°C.



Type  
AS and ARS

Type  
CS and CRS

Type  
DS and DRS

Designation of a shut-off valve type AS of nominal size 16 (for 16 mm pipe outside diameter) made of steel (St) :

### Valve AS 16 DIN 86 552 - St

Nominal size for pipe outside diameter	Screwed male plug acc. to DIN 86102		Threaded plug acc. to DIN 3853	d <sub>2</sub>	e <sub>1</sub>	e <sub>2</sub>	e <sub>3</sub>	Lift ≈	For nominal width (NW)
	Screw thread d <sub>1</sub>	Length l <sub>1</sub>	Screw thread d <sub>7</sub>						
10	R <sup>3</sup> / <sub>8</sub>	12	M18 x 1.5	63	68.5	61	22.5	5	6
12	R <sup>1</sup> / <sub>2</sub>	14	M20 x 1.5	63	68.5	61	24.5	5	8
16	R <sup>3</sup> / <sub>4</sub>	16	M24 x 1.5	80	87.5	79	29.5	7	12
20	R <sup>3</sup> / <sub>4</sub>	16	M30 x 2	80	89.5	79	29.5	7	16
25	R 1	18	M36 x 2	100	108	96	36	10	20
30	R 1 <sup>1</sup> / <sub>4</sub>	20	M42 x 2	100	126.5	113	36.5	10	25
38*	-	-	M52 x 2	125	-	132	-	13	32

Nominal size for pipe outside diameter	h <sub>1</sub> max	h <sub>2</sub> max	l <sub>1</sub> ≈	l <sub>2</sub> ≈	l <sub>3</sub> ≈	l <sub>4</sub> ± 1	l <sub>5</sub>	per. dev.	SW <sub>1</sub>	SW <sub>2</sub>	For nominal width (NW)
	10	120	140	85	94	39	30		76	± 1.5	
12	120	140	85	94	41	32	76	19	24		8
16	135	165	106	116	48	38	96	30	30		12
20	135	165	111	122	51	40	100	± 2	30	36	16
25	160	195	132	144	60	48	120		36	46	20
30	160	195	153	166	63	50	140		41	50	25
38*	160	-	-	190	-	-	164		-	60	32

Type AS, CS, DS = Shut-off valve  
 Type ARS, CRS, DRS = Non-return valve which may be shut off

\* > only type CS and CRS