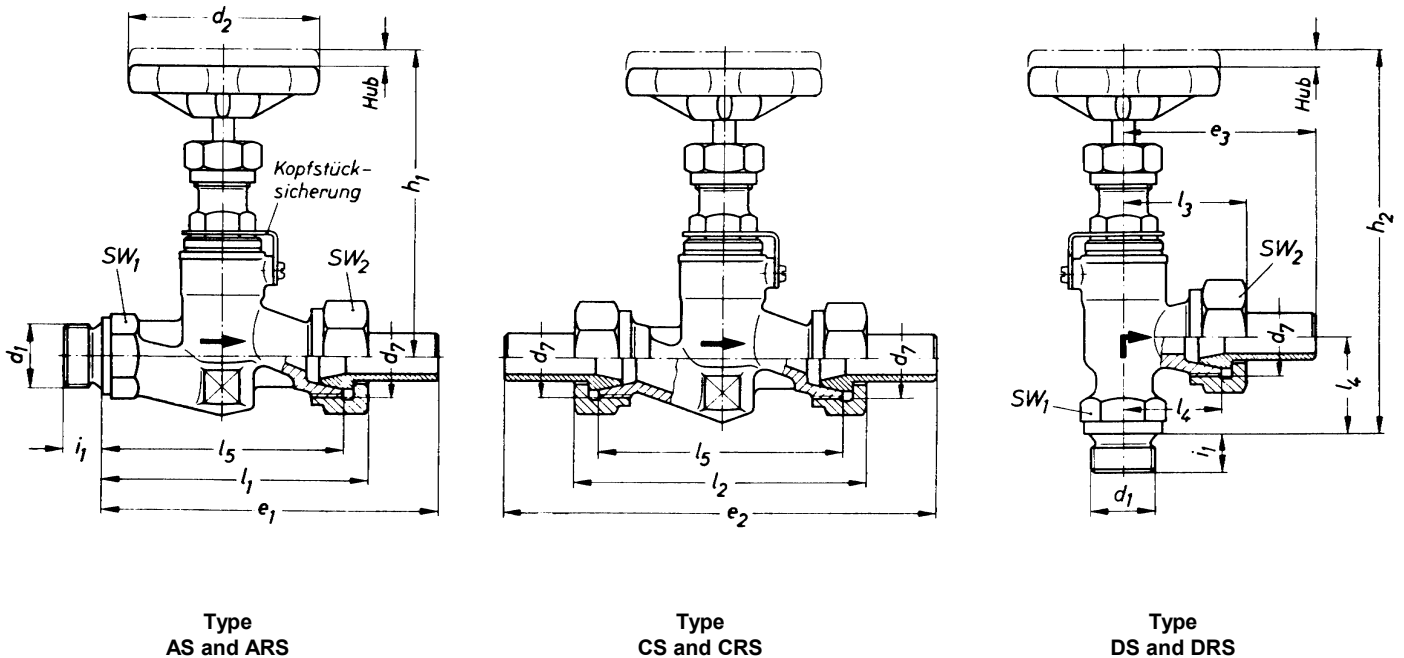


Range of application

Valves in accordance with this Standard are intended for steel pipe systems conveying water and steam as well as oil and compressed air. They can be used for nominal pressures up to PN 40 and temperatures up to 300°C.



Designation of a shut-off valve type AS of nominal size 16 (for 16 mm pipe outside diameter) made of steel (St) :

Valve AS 16 DIN 86 551 - St

Nominal size for pipe outside diameter	Screwed male plug acc. to DIN 86102		Connecting spigot acc. to DIN 86149	d ₂	e ₁ ≈	e ₂ ≈	e ₃ ≈	Lift ≈	For nominal width (NW)
	Screw thread d ₁	Length i ₁	Screw thread d ₇						
10	R 3/8	12	R 1/2	63	104.5	133	58.5	5	6
12	R 1/2	14	R 5/8	63	106.5	137	62.5	5	8
16	R 3/4	16	R 7/8	80	132	168	74	7	12
20	R 3/4	16	R 1	80	138	176	78	7	16
25	R 1	18	R 1 1/8	100	161	202	89	10	20
30	R 1 1/4	20	R 1 3/8	100	183	226	93	10	25
38*	-	-	R 1 3/4	125	-	255	-	13	32

Nominal size for pipe outside diameter	h ₁ max	h ₂ max	l ₁ ≈	l ₂ ≈	l ₃ ≈	l ₄ ± 1	l ₅	per. dev.	SW ₁	SW ₂	For nominal width (NW)
10	120	140	83	90	37	30	76	± 1.5	19	27	6
12	120	140	83	90	39	32	76		19	27	8
16	135	165	105	114	47	38	96		30	36	12
20	135	165	110	120	50	40	100	± 2	30	41	16
25	160	195	131	142	59	48	120		36	46	20
30	160	195	152	164	62	50	140		41	50	25
38*	160	-	-	190	-	-	164		-	60	32

Type AS, CS, DS = Shut-off valve
 Type ARS, CRS, DRS = Non-return valve which may be shut off

* > only type CS and CRS