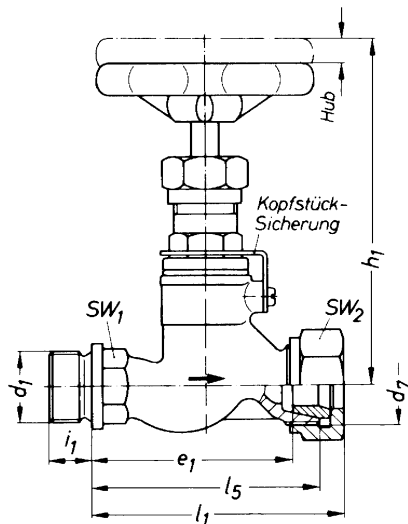


Range of application

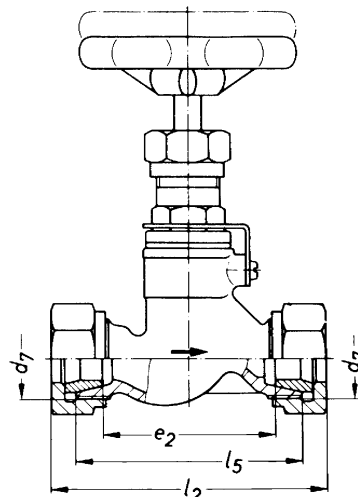
Valves according to this standard are intended for piping made of copper and wrought copper alloys. The limiting values given for nominal pressure and temperature should be complied with. The brazing nipples should be selected to suit the piping material and medium handled.

Material class acc. to section 4	Medium	Nominal pressure	Operating temperature
Rg-N	Water, steam, oil	up to ND 40	up to 225°C
Rg-S	Sea-water	up to ND 40	up to 60°C

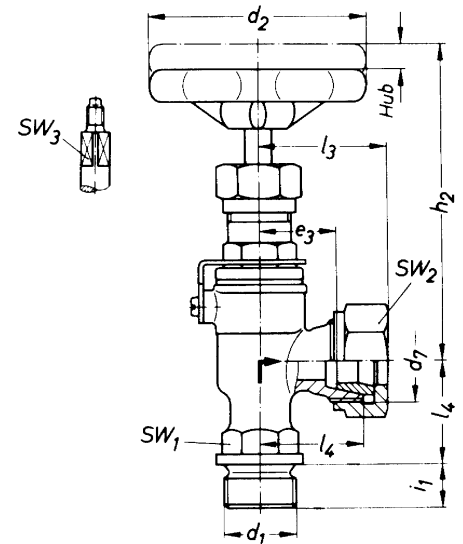
Brazing nipple of Ref. number	
SF-Cu	1
CuZn20Al	2
CuNi10Fe	3



Type AS



Type CS



Type DS

Designation of a screwed bonnet type shut-off check valve type AS of nominal size 16 (for 16 mm pipe outside diameter) of materials of material class Rg-N with brazing nipple of SF-Cu (reference number 1) :

Valve AS 16 DIN 86 512 - Rg-N - 1

Nominal size for pipe outside diameter	Screwed male plug acc. to DIN 86102		Threaded plug acc. to DIN 86149	d ₂	e ₁ ≈	e ₂ ≈	e ₃ ≈	Lift ≈	For nominal width (NW)
	Screw thread d ₁	Length i ₁	Screw thread d ₇						
10	R 3/8	12	R 1/2	63	51,5	43	21,5	7	6
12	R 1/2	14	R 5/8	63	55,5	47	23,5	7	8
16	R 3/4	16	R 7/8	80	74	64	28	9	12
20	R 3/4	16	R 1	80	80	70	30	9	16
25	R 1	18	R 1 1/8	100	100	90	38	12	20
30	R 1 1/4	20	R 1 3/8	100	109	98	39	12	25
38*	-	-	R 1 3/4	125	-	118	-	15	32

Nominal size for pipe outside diameter	h ₁ max	h ₂ max	l ₁ ≈	l ₂ ≈	l ₃ ≈	l ₄	l ₅	SW ₁	SW ₂	Square SW ₃	For nominal width (NW)
10	110	105	67	74	37	30	60	17	27	7	6
12	110	105	71	78	39	32	64	19	27	7	8
16	130	115	93	102	47	38	84	24	36	8	12
20	130	115	100	110	50	40	90	24	41	8	16
25	150	135	121	132	59	48	110	30	46	9	20
30	150	130	132	144	62	50	120	41	50	9	25
38*	175	-	-	166	-	-	140	-	60	11	32

* > only type CS