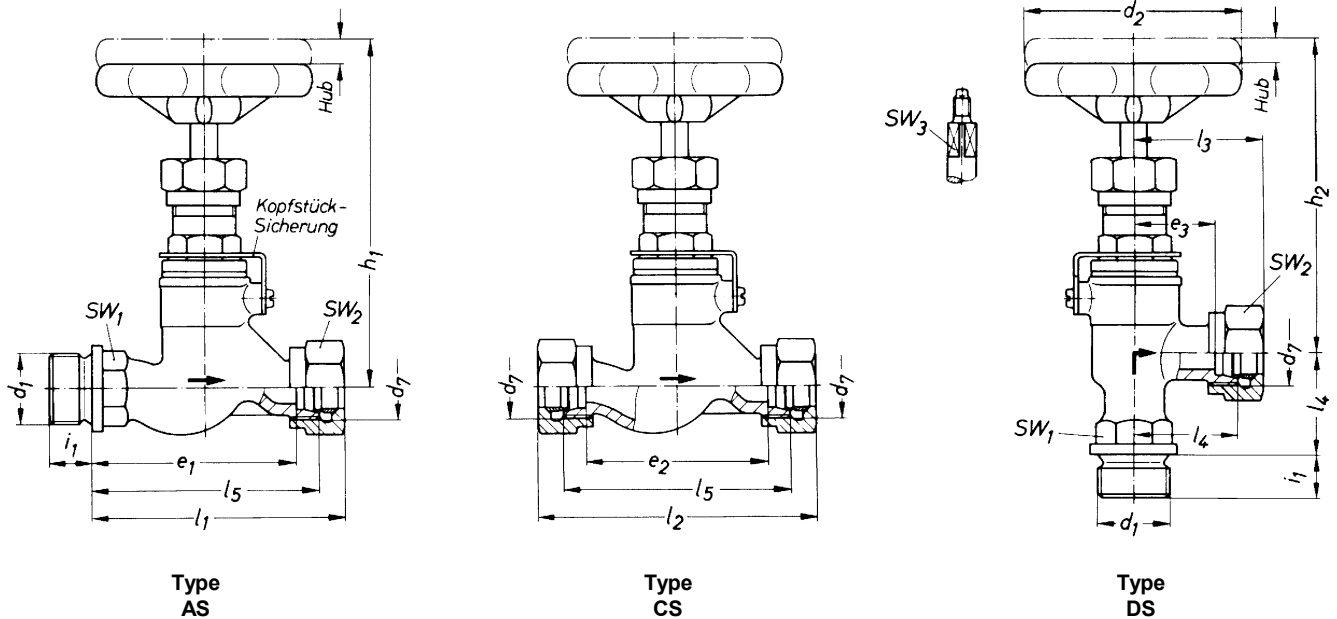


Range of application

Valves according to this Standard are intended for piping made of copper and wrought copper alloys. The limiting valves given for nominal pressure and temperature should be complied with.

Material class acc. To section 4	Medium	Nominal pressure	Operating temperature
Rg-N	Water, steam, oil	up to ND 40	up to 225°C
Rg-S	Sea-water	up to ND 40	up to 60°C



Designation of screwed bonnet type shut-off check valve type AS of nominal size 16 (for 16 mm pipe outside diameter) of materials of material class Rg-N :

Valve AS 16 DIN 86 502 - Rg-N

Nominal size for pipe outside diameter	Screwed male plug acc. to DIN 86102		Threaded plug acc. to DIN 3853	d ₂	e ₁	e ₂	e ₃	Lift ≈	For nominal width (NW)
	Screw thread d ₁	Length l ₁	Screw thread d ₇						
10	R 3/8	12	M18 x 1.5	63	52.5	45	22.5	7	6
12	R 1/2	14	M20 x 1.5	63	56.5	49	24.5	7	8
16	R 3/4	16	M24 x 1.5	80	75.5	67	29.5	9	12
20	R 3/4	16	M30 x 2	80	79.5	69	29.5	9	16
25	R 1	18	M36 x 2	100	98	86	36	12	20
30	R 1 1/4	20	M42 x 2	100	106.5	93	36.5	12	25
38*	-	-	M52 x 2	125	-	108	-	15	32

Nominal size for pipe outside diameter	h ₁ max	h ₂ max	l ₁ ≈	l ₂ ≈	l ₃ ≈	l ₄	l ₅	SW ₁	SW ₂	Square SW ₃	For nominal width (NW)
10	110	105	69	78	39	30	60	17	22	7	6
12	110	105	73	82	41	32	64	19	24	7	8
16	130	115	94	104	48	38	84	24	30	8	12
20	130	115	101	112	51	40	90	24	36	8	16
25	150	135	122	134	60	48	110	30	46	9	20
30	150	130	133	146	63	50	120	41	50	9	25
38*	175	-	-	166	-	-	140	-	60	11	32

* > only type CS