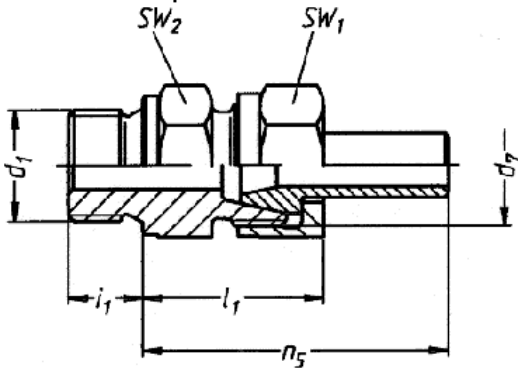


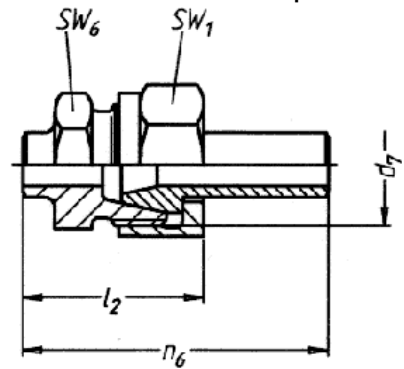
Range of application

Pipe unions according to this Standard are intended for nominal pressure up to PN 40 and temperatures up to 300°C.

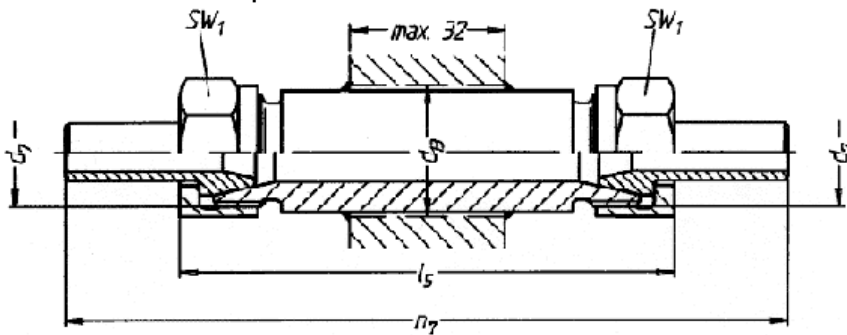
Type D
with male screw piece



Type E
with butt-welded male screw piece



Type T
with welded male screw piece for bulk heads



Designation of a pipe union with male screw piece (Type D) of nominal size 16 (for 16 mm pipe outside diameter) of materials of material class St :

Pipe union D 16 DIN 86 140 - St

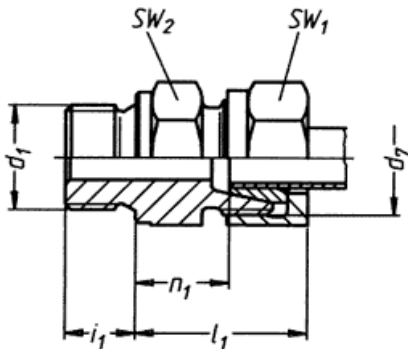
Nominal size for pipe outside diameter	Screwed male plug acc. to DIN 86102		Threaded plug acc. to DIN 86149	l_1 ≈	l_2 ≈	l_5 ≈	Hole in bulkhead d_{13}	For nominal width (NW)
	Screw thread d_1	Length i_1	Screw thread d_7					
10	R $\frac{3}{8}$	12	R $\frac{1}{2}$	31.5	34	102	23	6
12	R $\frac{1}{2}$	14	R $\frac{5}{8}$	34	34	102	27	8
16	R $\frac{3}{4}$	16	R $\frac{7}{8}$	40	43	110	36	12
20	R $\frac{3}{4}$	16	R 1	45	48	118	40	16
25	R 1	18	R $1\frac{1}{8}$	48	54	122	45	20
30	R $1\frac{1}{4}$	20	R $1\frac{3}{8}$	52	57	126	51	25

Nominal size for pipe outside diameter	n_5 ≈	n_6 ≈	n_7 ≈	SW ₁	SW ₂	SW ₆	For nominal width (NW)
10	53	55.5	145	27	22	22	6
12	57.5	57.5	149	27	27	24	8
16	67	70	164	36	32	32	12
20	73	76	174	41	36	36	16
25	78	84	182	46	41	41	20
30	83	88	188	50	50	46	25

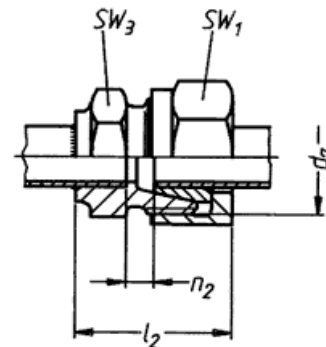
Range of application

Pipe unions according to this Standard are intended for nominal pressure up to PN 40 and temperatures up to 225°C, for Sea-Water up to 60°C.

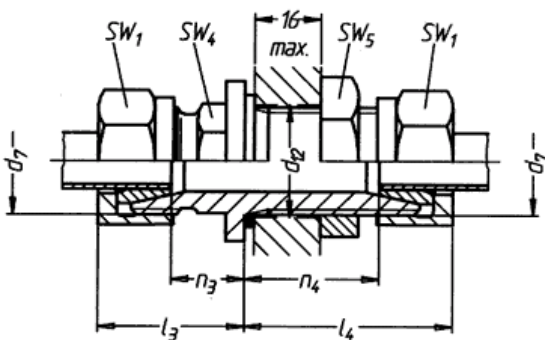
Type D
with male screw piece



Type E
with brazed male screw piece



Type Q
with screwed male screw piece for bulk heads



Designation of a pipe union with male screw piece (Type D) of nominal size 16 (for 16 mm pipe outside diameter) of materials of material class Cu1 :

Pipe union D 16 DIN 86 140 - Cu1

Nominal size for pipe outside diameter	Screwed male plug acc. to DIN 86102		Threaded plug acc. to DIN 86149	l ₁ ≈	l ₂ ≈	l ₃ ≈	l ₄ ≈	Hole in bulkhead d ₁₂	For nominal width (NW)
	Screw thread d ₁	Length i ₁	Screw thread d ₇						
10	R 3/8	12	R 1/2	31.5	31	31	44	23	6
12	R 1/2	14	R 5/8	34	31	31	44	25	8
16	R 3/4	16	R 7/8	40	39	37	49	32	12
20	R 3/4	16	R 1	45	44	42	53	35	16
25	R 1	18	R 1 1/8	48	49	44	55	40	20
30	R 1 1/4	20	R 1 3/8	52	52	47	58	46	25

Nominal size for pipe outside diameter	n ₁ ≈	n ₂ ≈	n ₃ ≈	n ₄ ≈	SW ₁	SW ₂	SW ₃	SW ₄	SW ₅	For nominal width (NW)
10	16	5	15.5	28.5	27	22	19	19	32	6
12	18.5	5.5	15.5	28.5	27	27	19	22	32	8
16	21	6	18	30	36	32	27	27	41	12
20	25	8	22	33	41	36	30	30	46	16
25	27	9	23	34	46	41	36	36	50	20
30	29	9	24	35	50	50	41	41	55	25