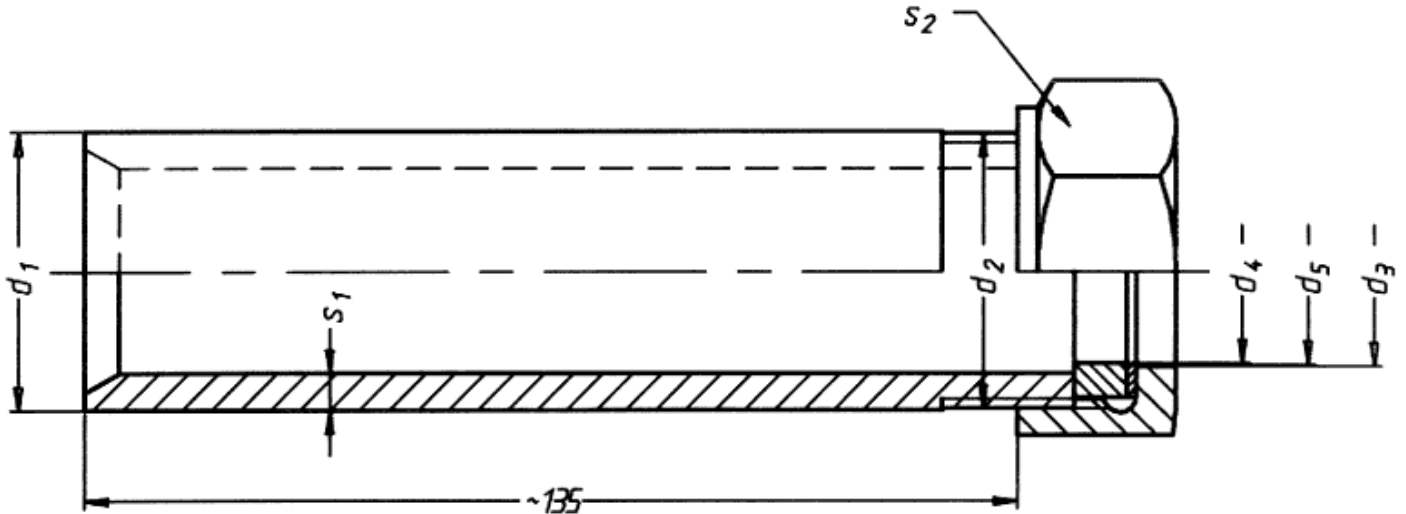


## Range of application

These conduit bushes are only intended for piping in steel or for tubes in steel with sleeve nut or copper and wrought copper alloys.



Designation of a conduit bush of nominal size 28 (for 25 to 28 mm pipe outside diameter) :

### Conduit DIN 86 056 - 28

Nom. size	For pipe outside diameter	$d_1$	Thread $d_2$	$d_3$	$d_4$	$d_5$	$s_1$	Width across flats $s_2$	Weight kg per piece $\approx$
6	6	13.5	G $1/4$	7	6	6.5	2.9	17	0.13
10	8 to 10	17.2	G $3/8$	11	10	10.5	2.9	22	0.18
13.5	12 to 13.5 <sup>1)</sup>	21.3	G $1/2$	14	13.5	14	3.2	27	0.26
17.2	15 to 17.2	26.9	G $3/4$	18	17	17.5	4	32	0.41
22	18 to 22	33.7	G 1	23	22	22.5	5	41	0.66
28	25 to 28	42.4	G $1 1/4$	29	28	28.5	5.6	50	0.96
35	30 to 35	48.3	G $1 1/2$	36	35	35.5	5.6	55	1.11
38	38	60.3	G 2	45	38	38.5	5.6	70	1.55
44.5	42 to 44.5	60.3	G 2	45	44.5	45	5.6	70	1.54

<sup>1)</sup> This pipe outside diameter is not included in the pipe outside diameters preferred in ship's piping.